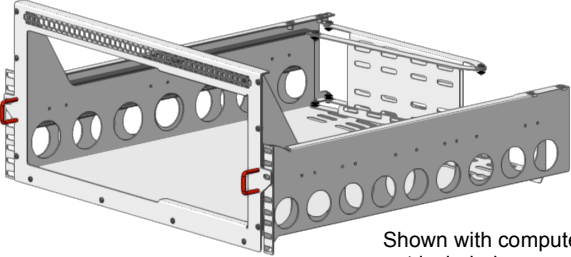


# TS-RSP3TWR-5U

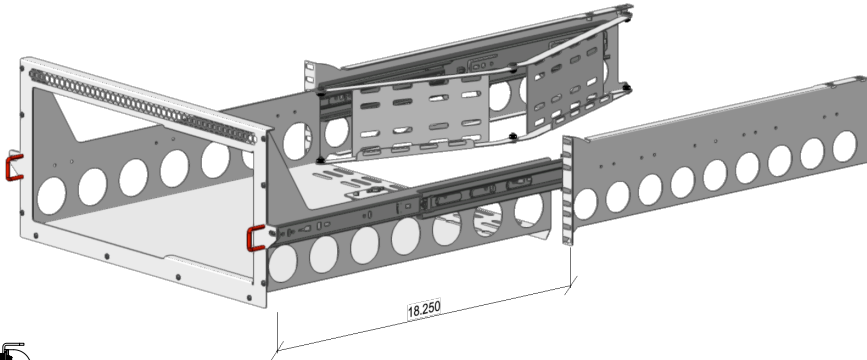
Capacity: 1 Lenovo P3 Tower Workstation  
 Weight: 13 Lbs (5.8kg)  
 Rack Space: 5U Rack Height  
 Slide Length: 18.25"  
 Packed Dims: 24x24x12 ~20lbs(9.07kg)

Rubber feet will need to be removed for computer to fit in the rack shelf

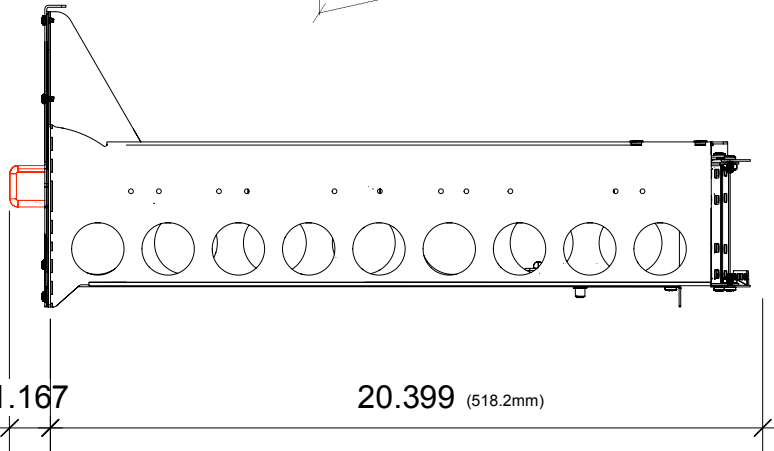
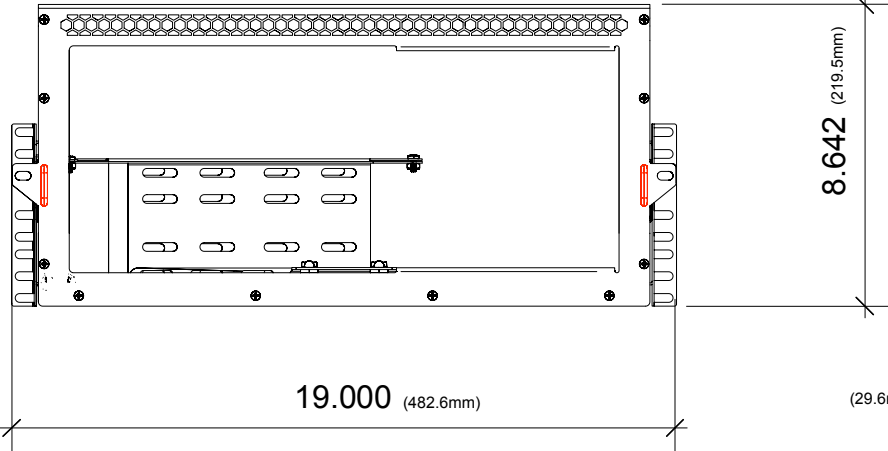
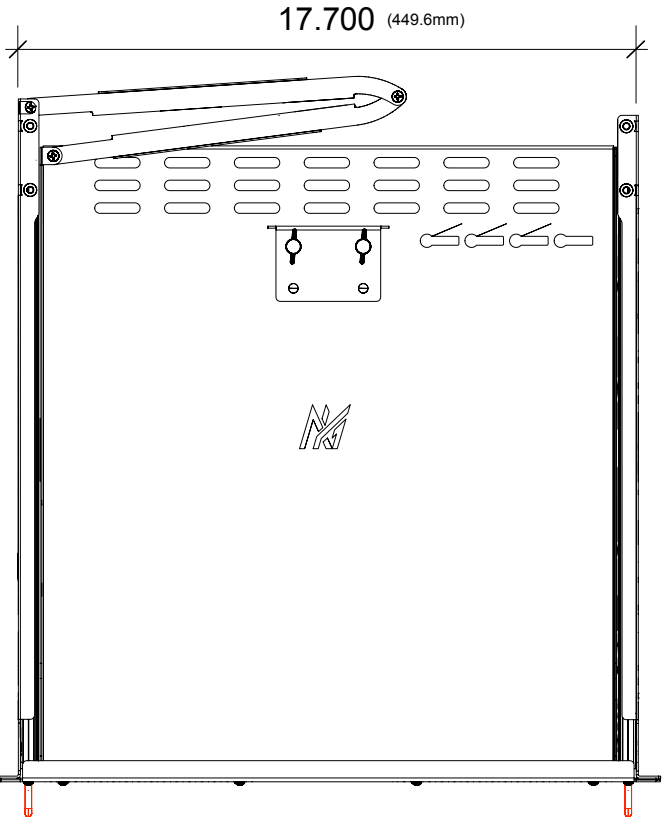
Rear Braces Available



Shown with computer, not included



18.250



<https://www.mk1manufacturing.com/>

PART: TS-RSP3TWR-5U (REV01)

DRAWN BY: MVC

06/04/2024

FILE: TS-RSP3TWR.VXW

©2024 MK1 Studio, LLC