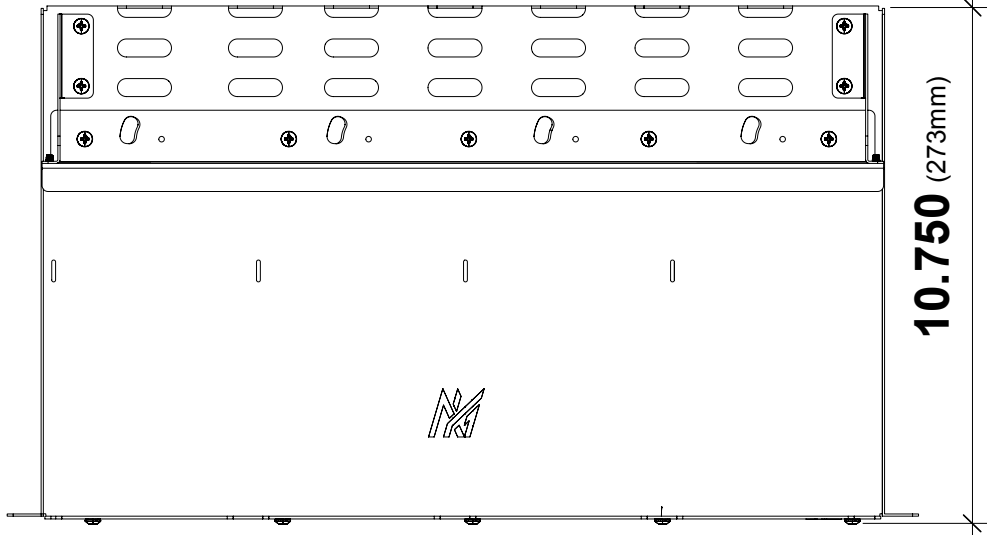
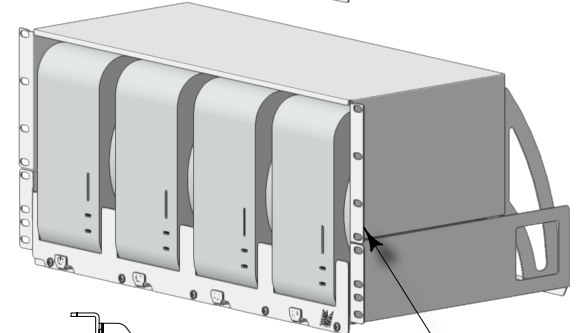
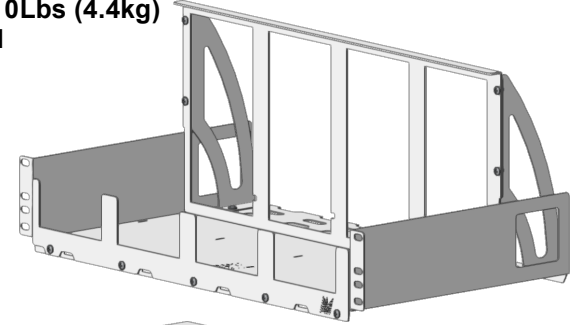


# MSR-4XFX-5U

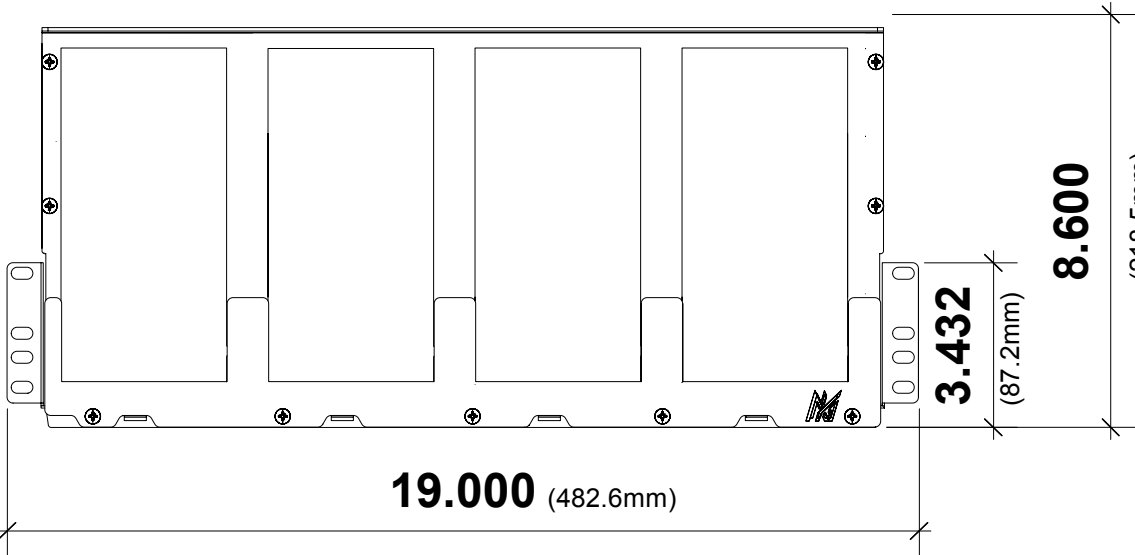
Capacity: 4 Apple Mac Studio Computers\*\*  
 Weight: 5Lbs (2.27kg)  
 Rack Space: 5U  
 Packaged Dims: 22X16x10, 10Lbs (4.4kg)  
 10-32 Mounting hardware included  
 Front USB Ports Available  
 Power Toggles Available  
 Cooling Air Baffle Available



10.750 (273mm)



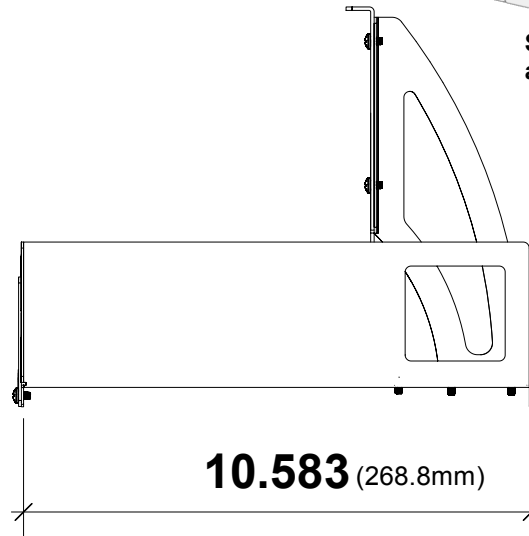
Shown with optional air baffle and power button toggles



19.000 (482.6mm)

3.432 (87.2mm)

8.600 (218.5mm)



10.583 (268.8mm)

<https://www.mk1manufacturing.com/>

PART: MSR-4XFX-5U (REV01)

DRAWN BY: MVC

12/13/2024

FILE: MSR-4XFX-5U.VXW

©2022 MK1 Studio, llc



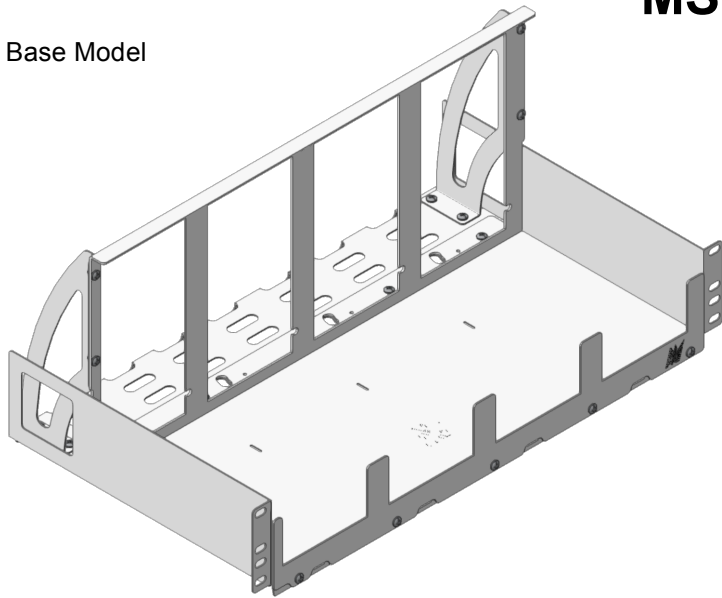
Apple and Mac are trademarks of Apple Inc., registered in the U.S. and other countries and regions. Their use here is to denote compatibility and not an endorsement.

MK1 MANUFACTURING

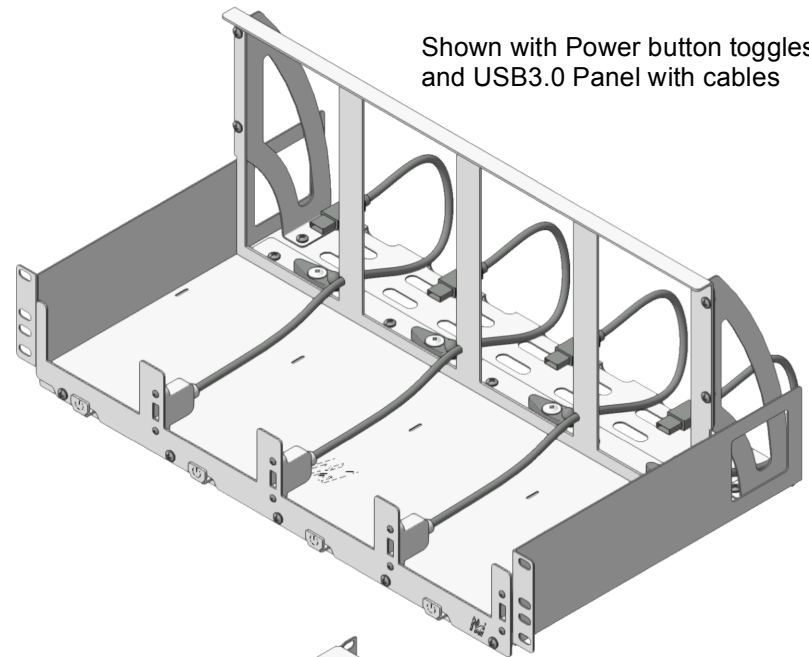
\*\*Not Included

# MSR-4XFX-5U

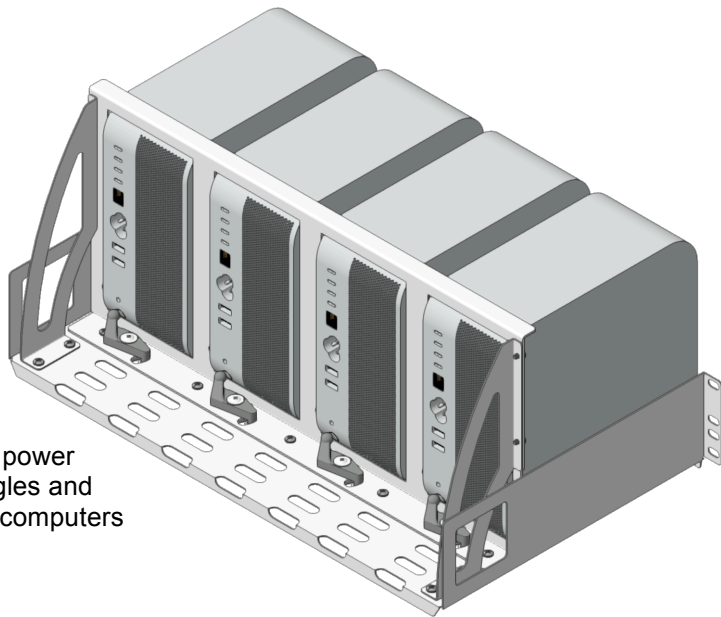
Base Model



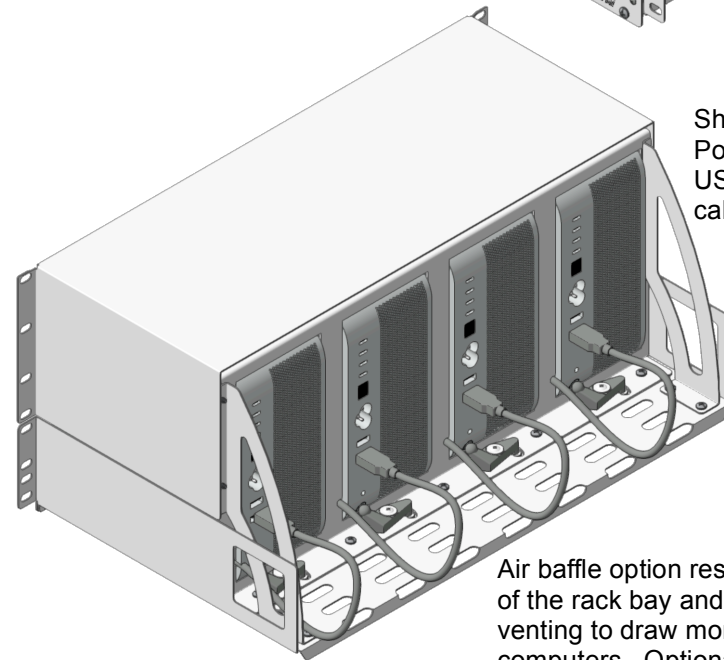
Shown with Power button toggles and USB3.0 Panel with cables



Shown with power button toggles and Mac Studio computers



Shown with Air Baffle, Power button toggles and USB3.0 Faceplate with cables



Air baffle option restricts airflow over the top of the rack bay and forces rack enclosure venting to draw more air through the computers. Optional for applications with strict air control specifications.

<https://www.mk1manufacturing.com/>

PART: MSR-4XFX-5U (REV01)

DRAWN BY: MVC

12/13/2024

FILE: MSR-4XFX-5U.VXW

Apple and Mac are trademarks of Apple Inc., registered in the U.S. and other countries and regions. Their use here is to denote compatibility and not an endorsement.

\*\*Not Included